

Saturn DigiSizer II 5205

Preinstallation Instructions and Checklist

520-42875-01

Aug 2013

Windows is a registered trademark of Microsoft Corporation.

AquaPrep is a trademark of Micromeritics Instrument Corporation.

Overview

This document describes how to prepare your site for installation of the Saturn DigiSizer 5205 system. It contains instructions for both Saturn DigiSizer 5205 standard systems and Saturn DigiSizer 5205 **confirm** systems.

The document is organized into two parts: *Saturn DigiSizer 5205 Preinstallation Instructions* and *Saturn DigiSizer 5205 Preinstallation Checklist*. Each part contains two sections: 1.) *All Saturn DigiSizer 5205 Systems* and 2.) *Saturn DigiSizer 5205 confirm Systems Only*. Follow the instructions and complete the checklist in Section 1 if you purchased a standard or a **confirm** system. If you purchased a **confirm** system, follow the instructions and complete the checklist in section 2 also.

The *Saturn DigiSizer 5205 Preinstallation Instructions* contain information that will help you analyze your site and answer the questions in the checklist.

The *Saturn DigiSizer 5205 Preinstallation Checklist* contains questions about your laboratory environment, equipment and supplies, and instrument location. For each question, check **Yes** if the condition applies to your laboratory or **No** if it does not.

When you have completed the checklist, fill in the Commitment Statement/Signature section, sign and date, and return the checklist to Micromeritics Service Center (see "[Commitment Statement/Signature](#)" on page 7). This will ensure that the Service Representative arrives with the tools and information needed to install and verify the instrument's operation.

Conventions

This document uses the symbol shown below to identify notes of importance.



Notes contain important information pertinent to the subject matter.

Saturn DigiSizer 5205 Preinstallation Instructions

Section 1. All Saturn DigiSizer 5205 Systems

Unpacking and Inspection

When the instrument is received, unpack and inspect the contents of the shipping carton(s). Use the packing list to verify that all products, accessories, software, and documentation are received intact and in the correct quantity. The shipping carton(s) and contents should be inspected within a couple of days in the event damage or loss has occurred (see **Shipping Damage**).

Shipping Damage

If equipment is damaged or lost in transit, you are required to make note of the damage or loss on the freight bill. The freight carrier, not Micromeritics, is responsible for all damage or loss occurring during shipment. If you discover damage or loss of equipment during shipment, report the condition to the carrier immediately. Insurance claims **MUST** be made with the freight carrier, **NOT** Micromeritics.

DO:

- Keep all software, manuals, and accessories with the instrument.
- Keep all boxes and shipping cartons until the installation is complete.
- Report any shipping damage immediately to the carrier and follow their directions.
- Report missing or wrong parts to Micromeritics, in addition to any shipping damage, only after filing a claim with the Carrier.

DO NOT:

- Ask Micromeritics to file a claim for shipping damage.
- Discard shipping boxes and containers until installation is complete.

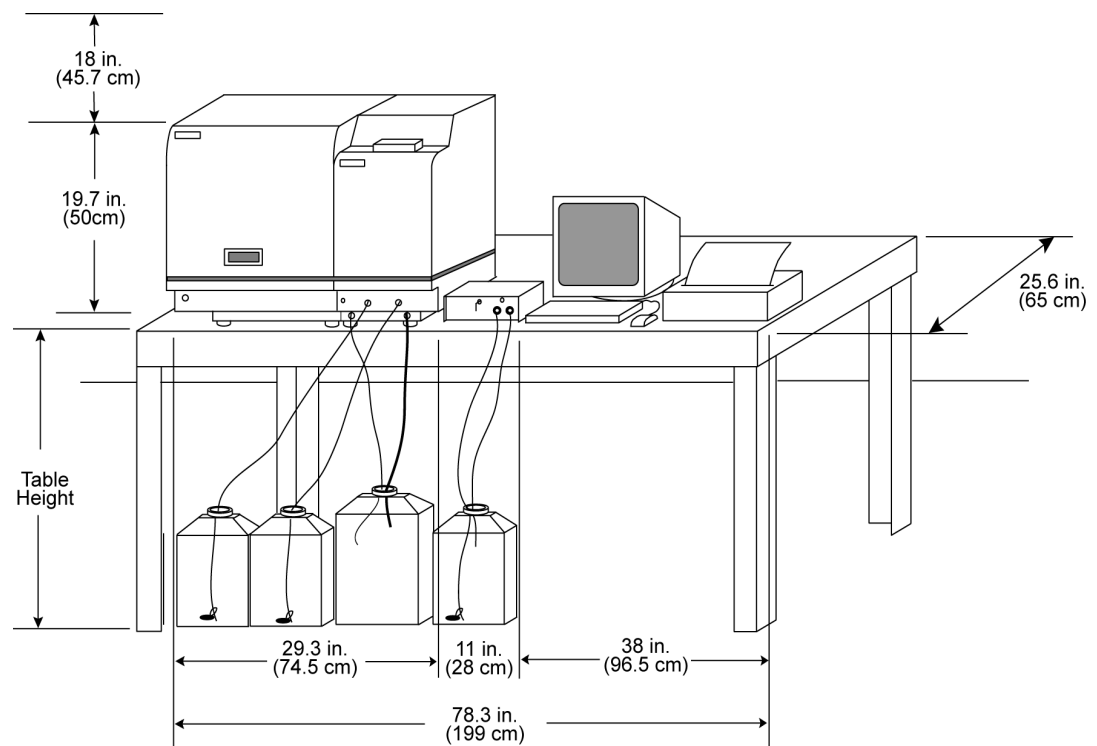
Instrument Space

The instrument should be accessible from all sides. An unobstructed lab work space that will accommodate the specifications below is needed for the DigiSizer and the Liquid Sample Handling Unit (LSHU).

Saturn DigiSizer Height 19.7 in (50 cm)
 Width: 18.5 in. (47 cm)
 Depth: 25.6 in. (65 cm)
 Weight: 99 lbs (45 kg)

Liquid Sample Handling Unit Height: 19.7 in. (50 cm)
 Width: 10.8 in. (27.5 cm)
 Depth: 25.6 in. (65 cm)
 Weight: 57 lbs (26 kg)

In addition, the computer and printer will require a space approximately 38 in. (96.5 cm) wide.



The height of the Saturn DigiSizer 5205 and LSHU is 19.7 in. (50 cm). An additional, 18 inches (45.7 cm) is required for clearance when the front door is opened (raised). Inspect the area above the combined heights of the analyzer and table to ensure the absence of lab cabinets, air ducts, pipe, light fixtures, etc.

An unobstructed area below the analyzer to accommodate the water and waste containers is also required.



Prior to installation, careful consideration should be given to the area in your lab where the Saturn DigiSizer 5205 and its associated components will be located.

Environmental Factors

Power

The Saturn DigiSizer 5205 is designed to operate with 100, 115, or 220, 240 VAC $\pm 10\%$ at 47 or 63 Hz. Noise-free power of the correct voltage and frequency, with a safety earth ground, should be available through a standard wall receptacle.

The Saturn DigiSizer 5205 requires either 1.5 Amps for 100 or 115 VAC operation or 1.25 Amps for 220 or 240 VAC operation, $\pm 10\%$ at 47/63 Hz. There should also be sufficient outlets for the computer, monitor, and printer and any other peripheral devices.

DO:

- Install the instrument on its own, dedicated power line.

DO NOT:

- Place other devices on the same power line; for example, motors, generators, or ovens.
- Place the analyzer close to an air conditioning or heater vent.

Storage Space

Cabinet space should be made available for the storage of accessories and spare parts.

Temperature and Humidity

Temperature and humidity must be controlled to within the following:

Temperature: Ambient: $+ 10^{\circ}\text{C}$ to 35°C , stable to within $\pm 3^{\circ}\text{C}$, for operation
Storage: $- 10^{\circ}$ to 55°C

Humidity: Up to 90% (non-condensing) for the DigiSizer and the Liquid Sample Handling Unit
20 to 80% (non-condensing) for the computer and peripheral devices

DO NOT:

- Allow room temperature and humidity to exceed limits.
- Install the instrument where it is exposed to direct sunlight.
- Locate the instrument near air conditioning or heating vents.

Hazards & Precautions

Inform Micromeritics of any on-site conditions that may present hazards to Micromeritics' employees or equipment. Advise Micromeritics of any precautions that need to be taken.

Safety Measures

Inform Micromeritics of any safety equipment, requirements, or safety measures necessary for Micromeritics' employees to enter and install the Saturn DigiSizer 5205 at your facility.

Computer Requirements

The computer system to be used with the analyzer must meet the following *minimum* requirements:

- Windows 7 Professional or higher operating system *
- 10 Base T Ethernet port (if connecting multiple units) **
- CD-ROM drive

An Ethernet switch will be needed if:

- More than one Ethernet based instrument will be connected to the same computer or
- The computer will be connected to the local network.

* Windows 7 Professional or higher is recommended for the best user experience.

** If the computer is to be connected to a network, two Ethernet ports are required.

Laboratory Equipment and Supplies

Deionized or Distilled Water

If using water as the dispersant media, the water must be deionized and well-filtered, then deaerated using the AquaPrep™. Distilled water can also be used.

Dispersant Agents

A solution of 0.0005% (by weight) sodium metaphosphate is required to complete instrument and operational verification.

DO NOT:

- Use *tap* water for dispersing fluid.
- Use dispersing products manufactured for use as dish washing or clothes washing aids.

Application Related Issues

In order to ensure a thorough installation, it will be helpful for Micromeritics to know which types of samples you will be testing. If possible, please list those types on [page 13](#) of the Checklist.

- Micromeritics offers application assistance through Micromeritics Analytical Services.

Personnel Security Clearance

If security clearances, insurance certificates, or any other special arrangements are required for Micromeritics employees to enter your facility, please explain in detail on page 14.

Please inform Micromeritics how much advance notice you require to obtain clearance.

Projected Install Date

After reading the site preparation requirements in this document, select a date by which your site will be prepared, and on which you would like to schedule installation. Enter the date on page 14 of the Checklist.

- After you return the Checklist to Micromeritics, your Micromeritics representative will contact you to confirm an installation date.

Commitment Statement/Signature



Micromeritics is not responsible for delays in installation due to incorrect site preparations.

Read this document carefully. If you are unsure about any part of this document or the checklist, please contact the Micromeritics Service Department for clarification. When you understand your responsibilities regarding site preparations for the instrument and believe the site is ready for the installation, sign the Preinstallation Checklist, date it, and FAX it to Micromeritics as described below.



Return the Preinstallation Checklist only. It is not necessary to return this instruction set.

Within the United States

FAX Checklist to: Service Operations Manager
(770) 662-3604

OR

Mail Checklist to: Micromeritics Corporation
4356 Communications Drive
Norcross, Georgia 30093

Attn: Service Operations Manager

Outside the United States

- Contact your local Micromeritics representative.

Section 2. Saturn DigiSizer 5205 *confirm* Systems Only

Personnel Requirements

The Saturn DigiSizer 5205 *confirm* Analysis System is comprised of:

- The Saturn DigiSizer 5205, the Liquid Sample Handling Unit, the AquaPrep, and accessories
- The DigiSizer 5205 *confirm* system analysis and administrator utility software

The Administrator Utility software works in conjunction with Windows security to control access to the Micromeritics application. Windows security controls computer, directory, and file access. The Administrator Utility controls access to the Micromeritics application, and controls users' rights to perform tasks within the application.

The DigiSizer 5205 *confirm* system will be installed by a Micromeritics service representative, who will work with your laboratory personnel to ensure that the *confirm* application works in harmony with Windows to provide a secure, traceable, analysis system.

If the Saturn DigiSizer 5205 computer will be connected to a Local Area Network, your Network/Windows administrator must be available to install the network connection. Also, if the Saturn DigiSizer 5205 files need to be accessible to a laboratory information system, file location will need to be discussed during installation.

The following table lists the functions and related capabilities necessary for a successful Saturn DigiSizer 5205 system installation. The laboratory personnel responsible for each of these functions must be on-site and available during installation. After reviewing this table, complete the Personnel Requirements Checklist on [page 15](#).

Function	Required Capability
Windows Administration	<p>Ability to create and manage Windows user groups.</p> <p>Ability to create and manage Windows users.</p> <p>Must have Windows Administrator access.</p> <p>Must be available the first and last day of installation.</p>
Network Administration	<p>Ability to connect computer to network.</p> <p>Ability to correct network connection problems.</p> <p>Ability to set necessary network drive and directory access.</p>
Micromeritics Application Administration	<p>Must have Windows Administrator access to all directories.</p> <p>Must have basic understanding of Windows Groups and Windows Users.</p>

The following table lists the procedures performed during installation and the personnel responsible for each procedure.

Step	Description	Installer	Network/ Windows Administrator	Micromeritics Application Administrator
1	Install computer on network (if necessary)		✓	
2	Install Micromeritics application	✓	✓	
3	Discuss file location	✓	✓	
4	Test setup	✓	✓	
5	Run the Administrator Utility			✓
6	Define password configuration in Administrator Utility			✓
7	Define user profiles in Administrator Utility			✓
8	Start Micromeritics application	✓		

User Information Requirements

The Administrator Utility restricts access to the Micromeritics application by enabling the Micromeritics application administrator to assign one of these profiles to users:

- **CfrAdministrator:** contains the profile for the application **Administrator**.
- **MicDevelopers:** for users who will be assigned the **Developer** profile in the Administrator Utility. The Developer profile enables users to develop and enter analysis methods. A Developer has access to all functions of the Micromeritics application.
- **MicAnalysts:** for users who will be assigned the **Analyst** profile in the Administrator Utility. The Analyst profile enables users to perform analyses using predefined analysis methods. An Analyst has access to a limited set of the Micromeritics application features.
- **MicService:** for Micromeritics Service Personnel. These users will be assigned the **Developer** profile in the Administrator Utility and have full access to the functions of the Micromeritics application. Although Service Personnel have the same access rights as

Developers, a separate user group is created for them because Service Personnel have different directory and file access permissions.

In addition to the profiles described above, a Developer can also be assigned an Administrator privilege. The Administrator privilege enables the user to establish and control user profiles.

Function	Developer	Analyst
Create sample records from templates	✓	✓
Analyze samples	✓	✓
Generate reports	✓	✓
List and print sample records and templates	✓	✓
Perform routine maintenance	✓	✓
Enable manual control when the instrument is idle	✓	✓
Change limited analysis conditions before performing an analysis	✓	✓
Change report options after an analysis	✓	✓
Create analysis methods (templates) for analyst use	✓	
Perform all other Micromeritics application functions	✓	

Saturn DigiSizer 5205 Preinstallation Checklist

Section 1. All Saturn DigiSizer 5205 Systems

Unpacking and Inspection

Unpacking and Inspection	Yes	No
Have the shipping cartons been unpacked and their contents inspected?	—	—
Was there any shipping damage? If Yes , has a claim been filed with the freight carrier?	— —	— —
Were all items listed on the packing list received? If No , has Micromeritics been notified?	— —	— —

Instrument Space

Instrument Space	Yes	No
Can the lab area where the instrument and computer will be placed accommodate the combined dimensions of the instrument, accessories, computer and printer?	—	—

Environmental Factors

Environmental Factor	Yes	No
Is power installed with correct voltage and frequency, and a safety earth ground?	—	—
Is storage space available for the accessories?	—	—
Are temperature and humidity controlled within recommended specifications?	—	—
Are hazards present or precautions necessary in area of installation? If Yes , please explain _____ _____ _____ _____	—	—
Are safety measures required? If Yes , please explain _____ _____ _____ _____	—	—

Computer Requirements

Computer	Yes	No
Was the computer purchased from Micromeritics? If NO , does the computer meet Micromeritics' minimum requirements?	—	—
Is the computer going to be connected to a network? If Yes , will an Ethernet switch be available during the installation?	—	—
Will other Ethernet based instruments be connected to this computer? If Yes , will an Ethernet switch be available during the installation?	—	—

Laboratory Equipment and Supplies

Item	Yes	No
Is deionized or distilled water available?	—	—
Is a proper dispersing agent available?	—	—

Application Related Issues

Application Issue	Yes	No
What types of samples will you be testing?		

Will you require any application assistance from Micromeritics Analytical Services?	—	—

Personnel Security Clearance

Security Clearance	Yes	No
Are there any special arrangements required concerning security clearance? If Yes, please explain in detail _____ _____ _____ _____	—	—

Projected Install Date

When would installation be most convenient?
(This is not a commitment for a specific installation date.)

Date: ____ / ____ / ____

Commitment Statement/Signature



For *confirm* systems only: complete Section 2, beginning on the next page, before signing this commitment statement.

I have read this document and understand my responsibilities regarding preparations for the installation of our instrumentation. I believe this site to be ready for the Saturn DigiSizer 5205 Analyzer to be installed.

SIGNATURE: _____

NAME (Printed): _____

TITLE (Printed): _____

COMPANY: _____

CITY, STATE and ZIP: _____

COUNTRY: _____

PHONE NUMBER: _____

DATE: _____

INSTRUMENT MODEL _____ SERIAL NUMBER _____

Section 2. Saturn DigiSizer 5205 *confirm* Systems Only

Complete this section **only** if you purchased a Saturn DigiSizer 5205 *confirm* System.

Personnel Requirements

In order to install and operate the Saturn DigiSizer 5205 *confirm* Analysis System, the laboratory personnel responsible for the functions listed below must be identified and available during the installation process:

Please provide the names of the persons who will be responsible for these functions during installation and operation of the instrument.

Function	Person Responsible	Yes	No
Windows Administration	_____		
Does the administrator have the ability to create and manage Windows user groups?		___	___
Does the administrator have the ability to create and manage Windows users?		___	___
Does the administrator have Windows Administrator access?		___	___
Will the Windows administrator be available the first and last day of installation?		___	___
Network Administration	_____		
Will the Saturn DigiSizer 5205 computer be connected to a Local Area Network (LAN)?		___	___
If yes:			
Does the administrator have the ability to connect the computer to the network?		___	___
Does the administrator have the ability to correct network connection problems?		___	___
Does the administrator have the ability to set necessary network drive and directory access?		___	___

Function	Person Responsible	Yes	No
Will Saturn DigiSizer 5205 files need to be accessible to a laboratory information application?		___	___
If yes: Does the administrator have the necessary file permissions?		___	___
Will the administrator be available during installation?		___	___
Micromeritics Application Administration			
Does the administrator have access to all directories?	_____	___	___
Does the administrator have a basic understanding of Windows Groups and Windows Users?		___	___
Will the administrator be available during installation?		___	___

User Information Requirements

Function	Yes	No
Have the DigiSizer application users been entered in the Administrator Utility User Profiles Worksheet (located on the following page)?	___	___

Administrator Utility User Profiles Worksheet

***User Name** is the person's Windows User ID.

****Service** users should be added to the MicService Windows user group and assigned a **Developer** user profile in the Administrator Utility.

Application User	Developer	Analyst	Service**
User Name* _____ Full Name _____			
User Name* _____ Full Name _____			
User Name* _____ Full Name _____			
User Name* _____ Full Name _____			
User Name* _____ Full Name _____			
User Name* _____ Full Name _____			
User Name* _____ Full Name _____			
User Name* _____ Full Name _____			
User Name* _____ Full Name _____			
User Name* _____ Full Name _____			
User Name* _____ Full Name _____			
User Name* _____ Full Name _____			
User Name* _____ Full Name _____			
User Name* _____ Full Name _____			
User Name* _____ Full Name _____			

***User Name** is the person's Windows User ID.

****Service** users should be added to the MicService Windows user group and assigned a **Developer** user profile in the Administrator Utility.

Application User	Developer	Analyst	Service**
User Name* _____ Full Name _____			
User Name* _____ Full Name _____			
User Name* _____ Full Name _____			
User Name* _____ Full Name _____			
User Name* _____ Full Name _____			
User Name* _____ Full Name _____			
User Name* _____ Full Name _____			
User Name* _____ Full Name _____			
User Name* _____ Full Name _____			
User Name* _____ Full Name _____			
User Name* _____ Full Name _____			
User Name* _____ Full Name _____			
User Name* _____ Full Name _____			
User Name* _____ Full Name _____			
User Name* _____ Full Name _____			
User Name* _____ Full Name _____			